

RHINO 800 SB-E SRP

RHINO 800 SB-E SRP

- Multipurpose workboat outfitted with a boat cradle.
- Stern seat box with skippers back rest. Bow area with yellow handrails and bow steps.
- Embedded Cylinder Rack containing 4 x 50 liters cylinders in the closed compartment in the belly of the boat.



BOAT SPECIFICATIONS

CLASS: WORKBOAT

MATERIAL: HIGH-DENSITY POLYETHYLENE

LENGTH OVERALL: 8.1 m

BREADTH: 2.29 m

DEPTH-{HAND-RAIL TO KEEL): 2.61 m

LIGHT DRAFT: 0.25 m

WEIGHT: 2 475Kg

REC. MAX PAYLOAD: 3830 Kg

SEALED BUOYANCY COMPARTMENTS: 3mm

MAX PERSONNEL: 9PAX (8 CREW + 1 OPERATOR)



RBC - 800 - 006

Tare wt. - 1400KG

Payload - 5100KG

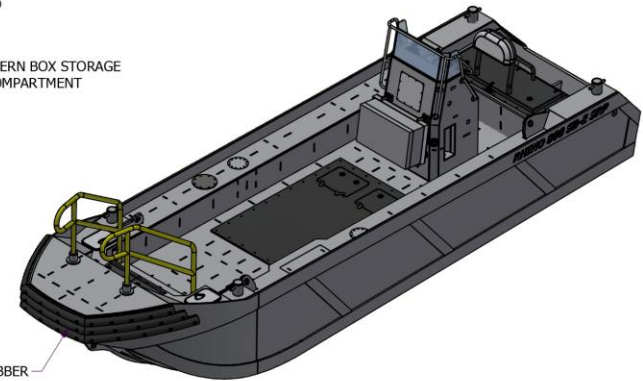
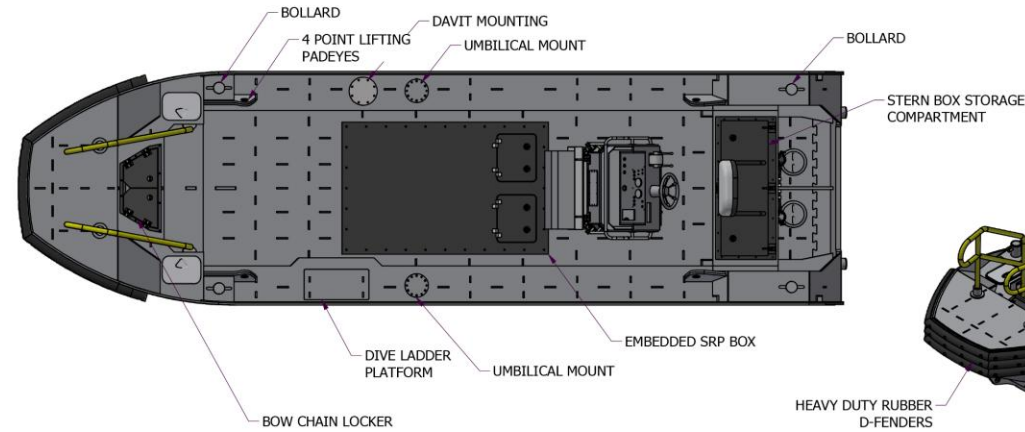
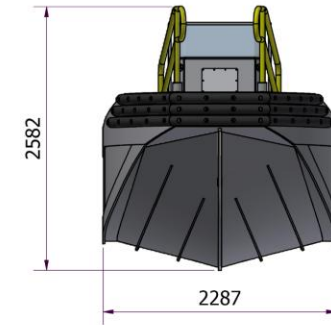
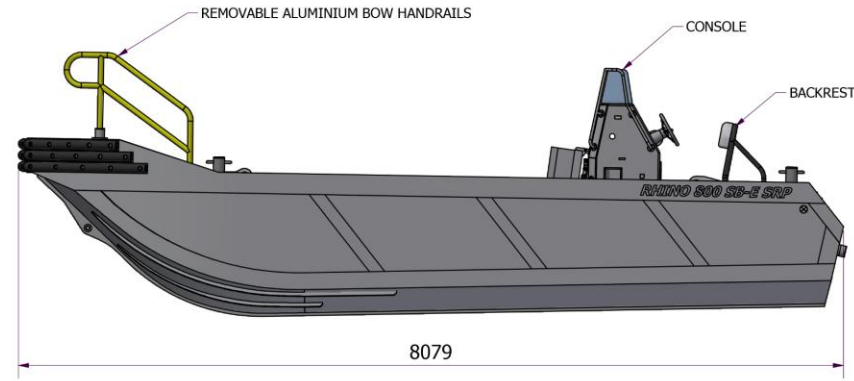
MGW - 6500KG

Load Test - 8125KG

MFG Year - 2024

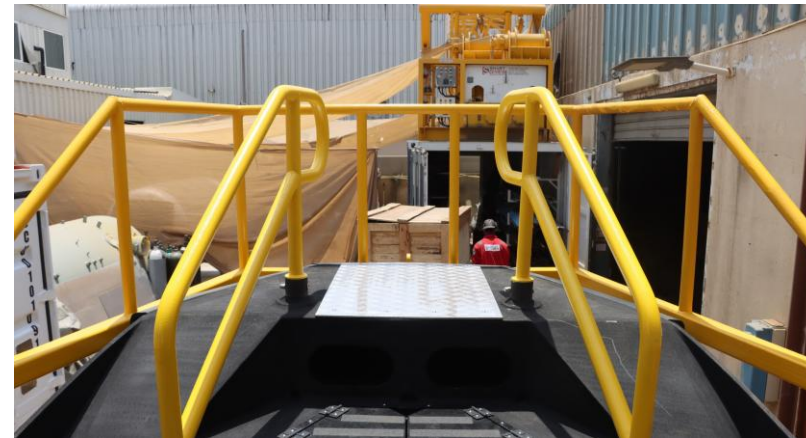
MFG. B. - SMART DIVES

CSCU0201742



RHINO 800SB-E	
CLASS	WORK BOAT
MATERIAL	HIGH DENSITY POLYETHYLENE
ISO DESIGN CATEGORY	CATEGORY B
LENGTH OVERALL	8100 mm
BREADTH	2290 mm
DEPTH - HAND RAIL TO KEEL	2610 mm
LIGHT DRAFT (TBC)	250 mm
WEIGHT	2,475 kg
REC. MAX PAYLOAD	3,830 kg
SEALED BUOYANCY COMPARTMENTS	3 mm
MAX PERSONNEL	9 PAX (8 CREW + 1 OPERATOR)

PROJECT:		DRAWING:		SHEET	
R800 SBE-12_Smartdives		General Arrangement		1/1	
DRAWN	DATE	DRAWN BY	DRAWING NO.	REV.	PROJ.
	2023/03/29	B Broadbent	R800-12-100-100		
CHECKED			PART OF ASSY. NO.		
 Rhino Marine www.rhinomarineboats.com				ORIGINAL SIZE	
				A3	
				SCALE	
				NTS	



MOTORS

- 2 HP Diesel Outboard Engines



CRADLE SPECIFICATIONS

- RBC – 800 - 006
- CRADLE TARE WEIGHT – 1400 KG
- PAY LOAD – 5100 KG
- MAXIMUM GROSS WEIGHT – 6500 KG
- LOAD TESTED AT – 8125 KG
- MFG BY – SMART DIVES LL DUBAI
- LENGTH (L) X BREADTH (B) X HEIGHT (H):
8950 mm (L) x 2740 mm (B) x 3200 mm (H)



RBC - 800 - 006
Tare wt. - 1400KG
Payload - 5100KG
MGW - 6500KG
Load Test - 8125KG
MFG Year - 2024
MFG. B. - SMART DIVES

THANK YOU!

INFO@SMARTDIVES.COM