 **SMART
DIVES**

RHINO 600 HD

RHINO 600 HD

- Multipurpose workboat outfitted with a boat cradle.
- Bow area with handrails.
- Embedded Cylinder Rack containing 4 x 50 liters cylinders in the closed compartment in the belly of the boat.



BOAT SPECIFICATIONS

CLASS: WORKBOAT

MATERIAL: HIGH-DENSITY POLYETHYLENE

LENGTH OVERALL: 5.89 m

BREADTH: 2.28 m

DEPTH-{HAND-RAIL TO KEEL}: 2.05 m

WEIGHT - INCL. SRP SYSTEM (TBC): 1,475 kg

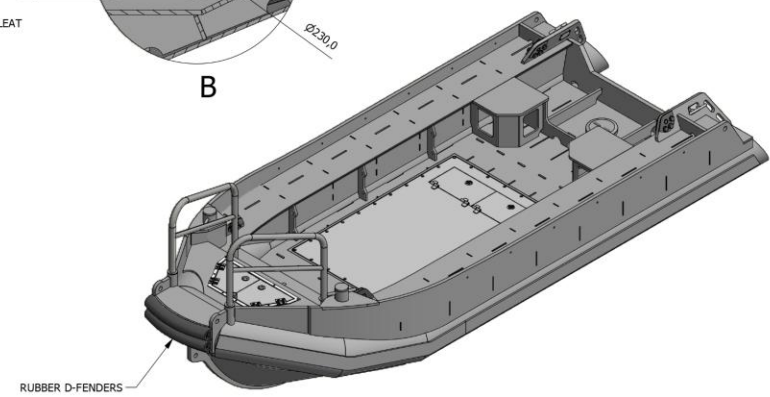
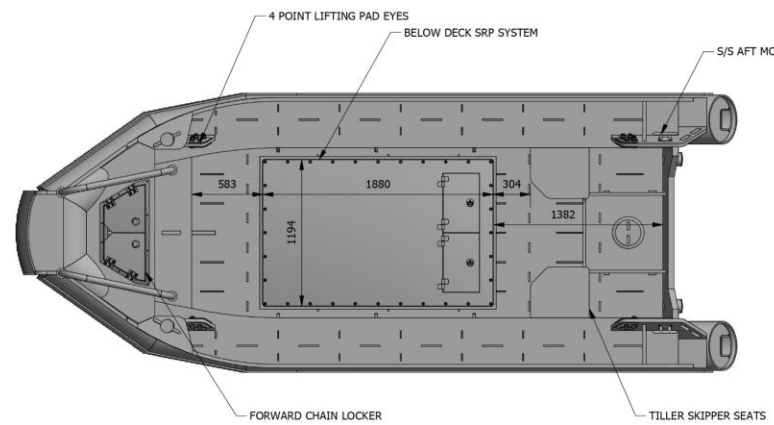
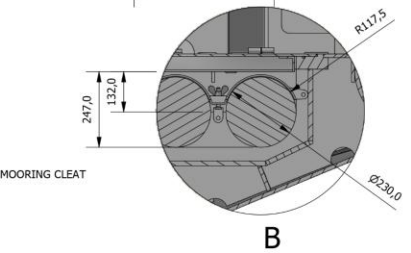
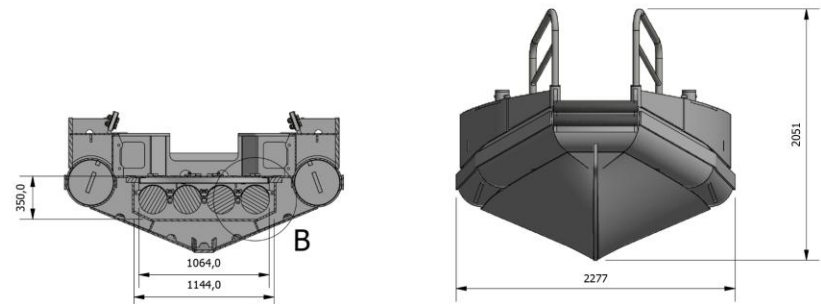
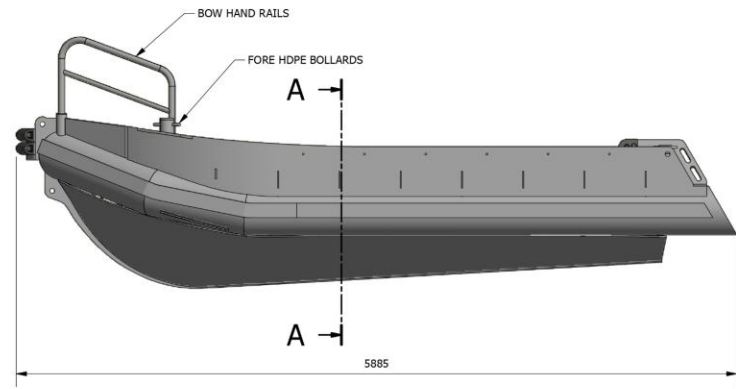
ABS. MAX ADDITIONAL PAYLOAD (TBC):
425 kg

SEALED BUOYANCY COMPARTMENTS: 7





牙龍: 88-02
74: 0000
牙龍: 02-05
牙龍: 02-05
牙龍: 02-05
牙龍: 02-05
牙龍: 02-05



RHINO 600 HD SPECIFICATION	
CLASS	WORK BOAT
MATERIAL	HIGH DENSITY POLYETHYLENE
LENGTH OVERALL	5.89 m
BREADTH	2.28 m
DEPTH - HAND RAIL TO KEEL	2.05 m
WEIGHT - INCL. SRP SYSTEM (TBC)	1,475 kg
ABS. MAX ADDITIONAL PAYLOAD (TBC)	425 kg
SEALED BUOYANCY COMPARTMENTS	7

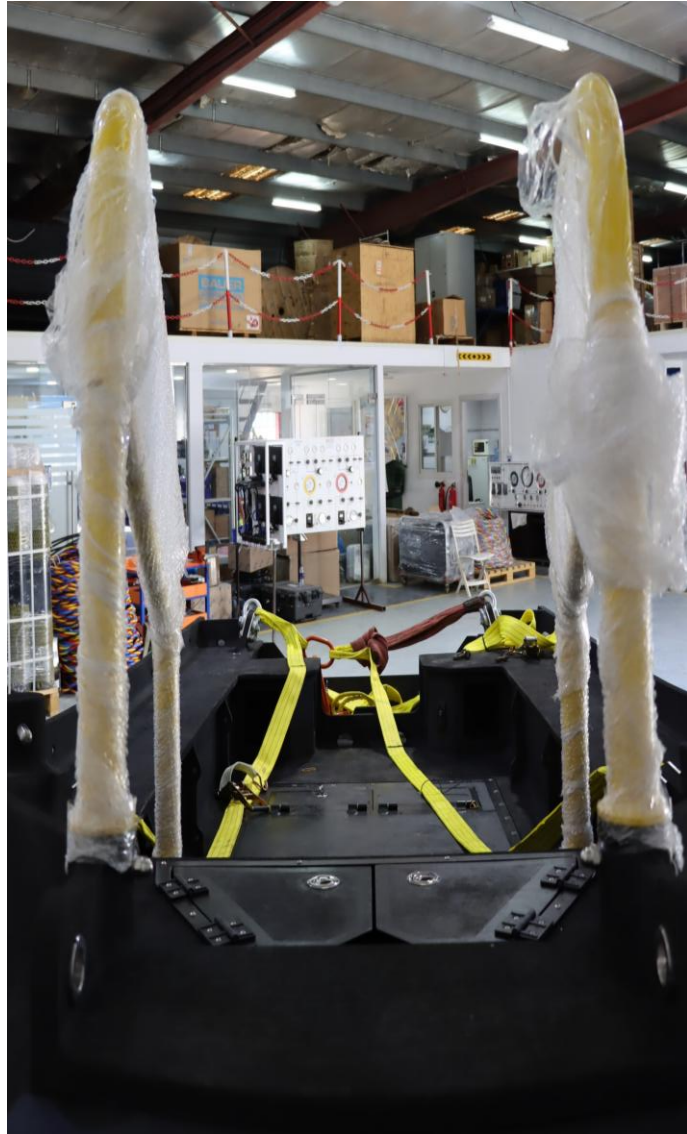
THE INFORMATION CONTAINED WITHIN THIS DOCUMENT IS PROPERTY OF RHINO MARINE PRODUCTS AND IS NOT TO BE DISTRIBUTED WITHOUT PRIOR APPROVAL.

THE SPECIFICATIONS PROVIDED HERE ARE NOTIONAL AND ARE SUBJECT TO CHANGE AT THE DISCRETION OF RHINO MARINE PRODUCTS.

PRELIMINARY SPECIFICATION SHEET

PROJECT: R600 HD - BELOW DECK SRP		DRAWING: GENERAL ARRANGEMENT	
DRAWN	DATE	DRAWN BY	DRAWING NO.
CHECKED	02-03-2018	S P C FORREST	R600HD - SRP2
REV. 0		PART OF ASSY. NO.	
ORIGINAL SIZE		A3	
SCALE		NTS	


Rhino Marine
www.rhinomarineboats.com



MOTORS

- 2 HP Diesel Outboard Engines



CRADLE SPECIFICATIONS

- SR NO: RBC - 002
- CRADLE TARE WEIGHT – 1000 KG
- PAY LOAD – 1925 KG
- MAXIMUM GROSS WEIGHT – 2925 KG
- MFG BY – SMART DIVES LL DUBAI





SR NO.: RBC-002
TW.: 1000 KG
PAY LOAD.: 1925 KG
MGW.: 2925 KG
MFG DATE.: 18-05-2021
MFG BY.: SMART DIVES

THANK YOU!

INFO@SMARTDIVES.COM